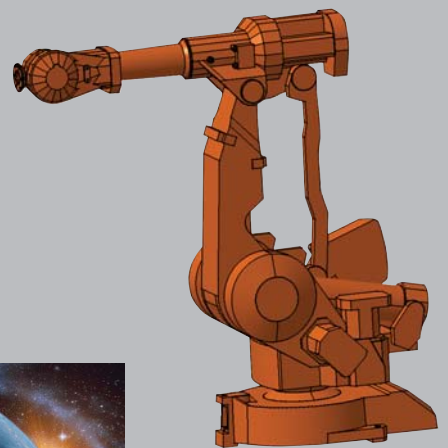
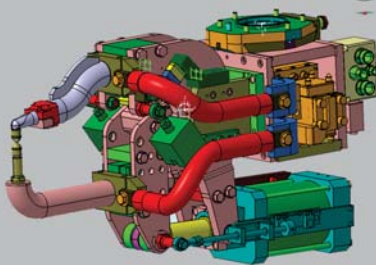
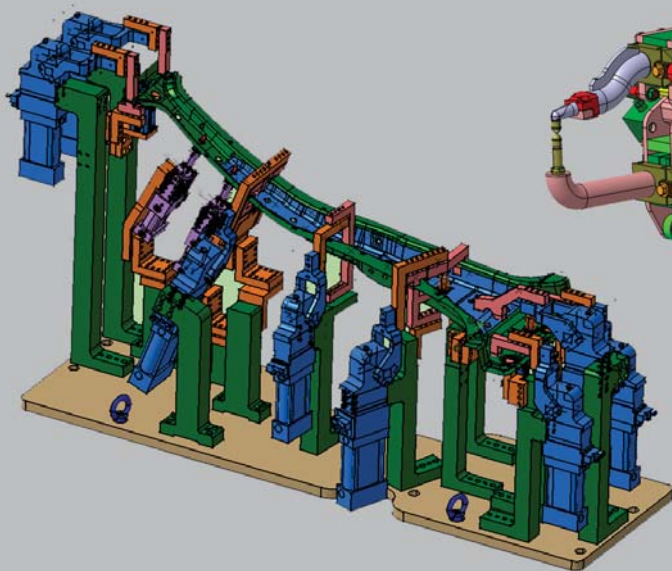


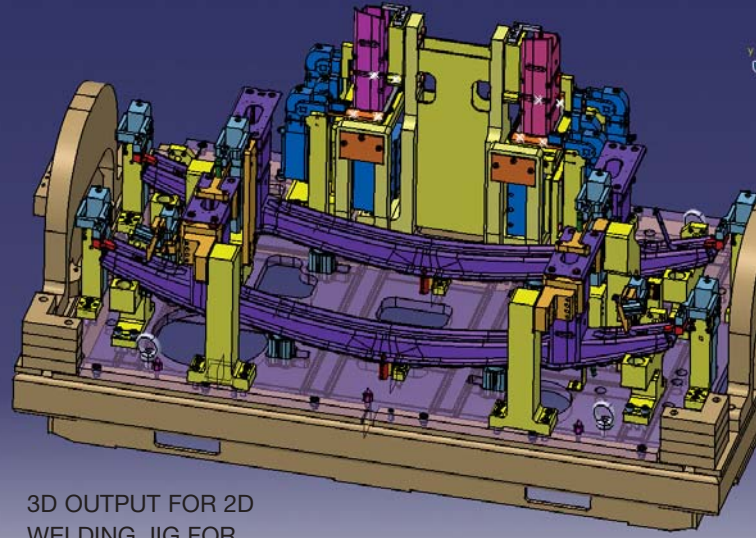
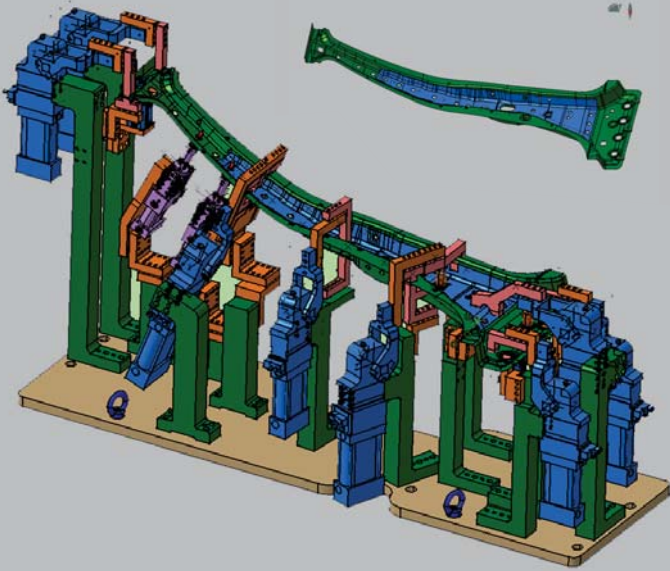


## EQUIPMENT FOR AUTOMOTIVE INDUSTRY

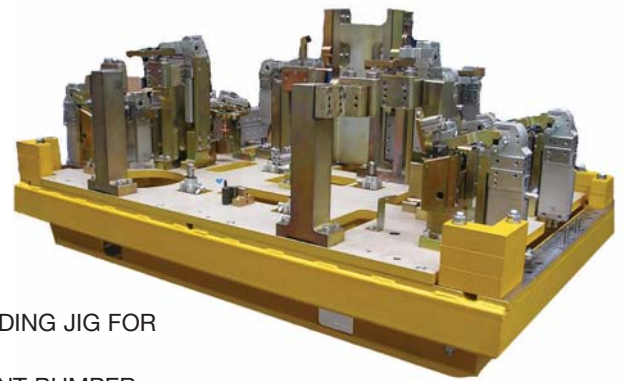




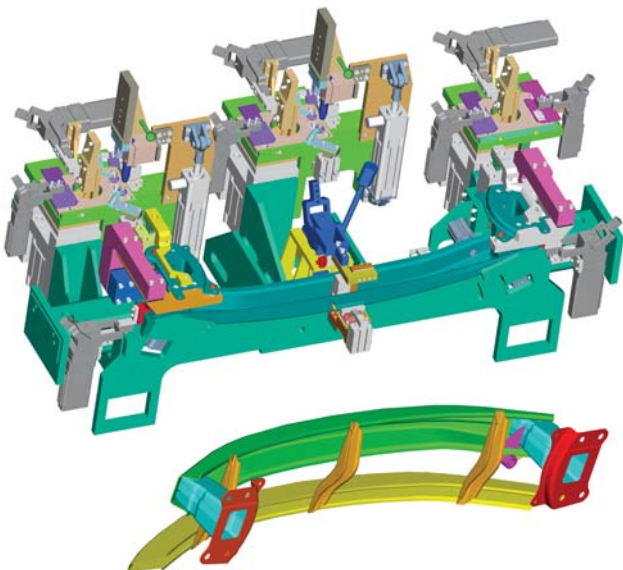
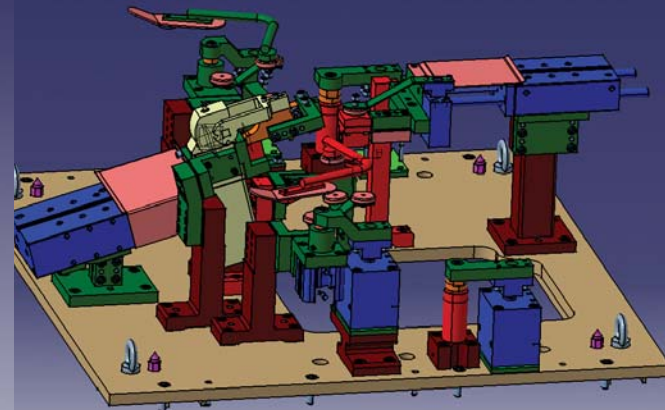
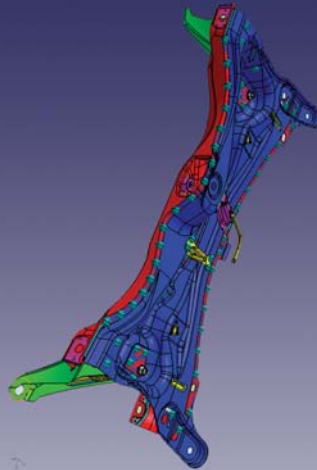
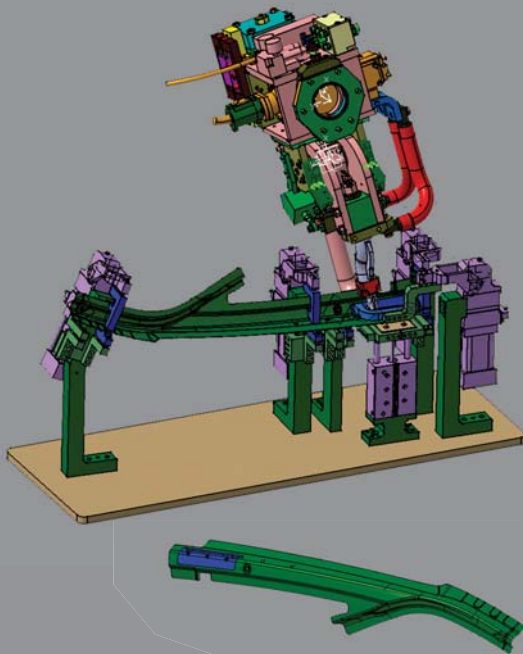
# DESIGN AND PRODUCTION



3D OUTPUT FOR 2D  
WELDING JIG FOR  
FRONT BUMPER



WELDING JIG FOR  
FRONT BUMPER



## PRODUCTION

- components production for automobile building lines and equipment
- production and assembly of welding, measuring, mounting jigs, parts of lines
- complete supplies of welding robotic workplaces (design, production, assembly, setting, connection, implementation and installation End Users' facilities)
- cooperative production upon external production documentation
- assembly and connection of robots, electric and pneumatic components according to the Customers' specification

# PRODUCTS AND USERS

## MOUNTING JIGS



AUDI



DAIMLER CHRYSLER



AUDI

## WELDING JIGS



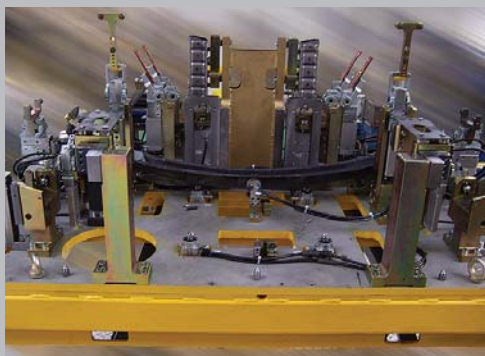
PSA



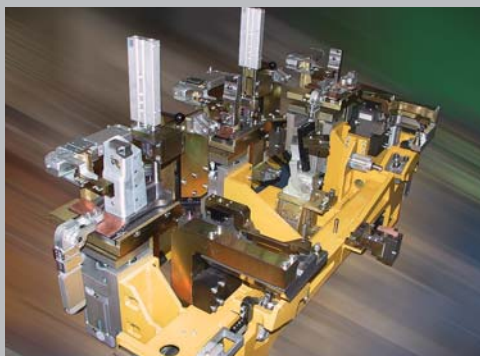
TOYOTA



VW



BMW

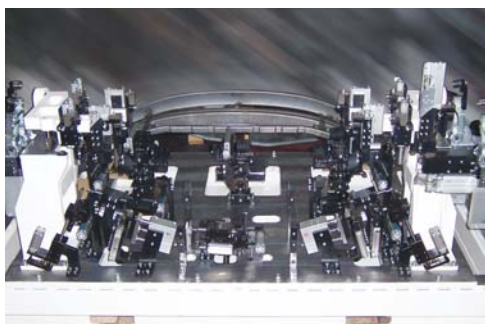


VW



ŠKODA

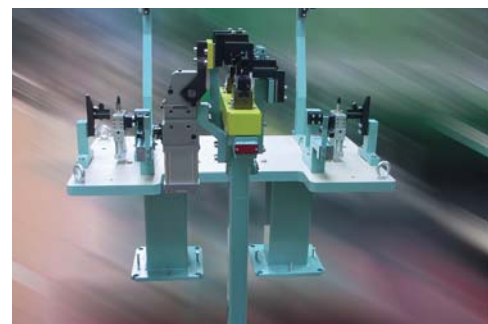
## MEASURING JIGS



ŠKODA



VOLVO



MERCEDES BENZ